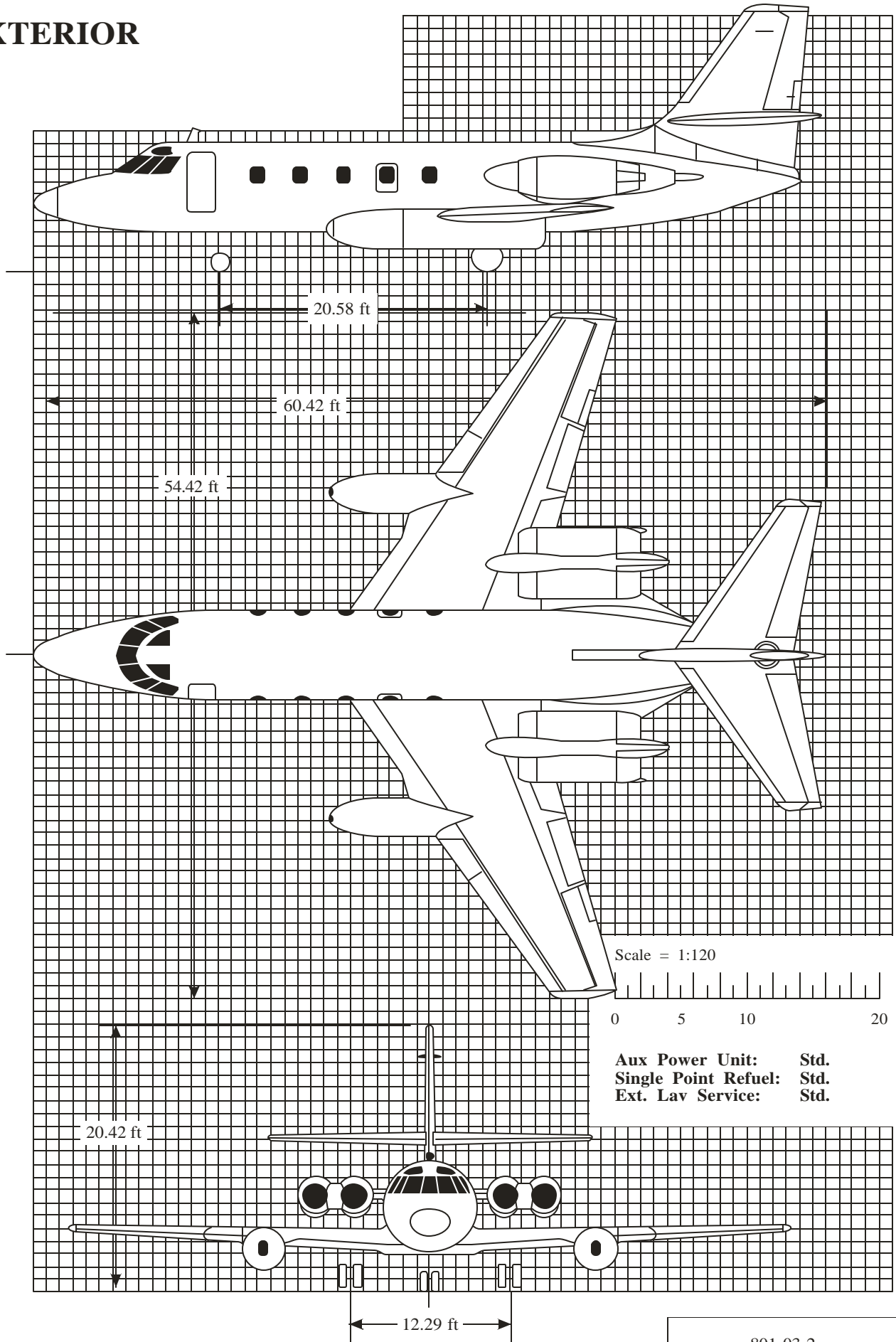


EXTERIOR

JETSTAR II/731

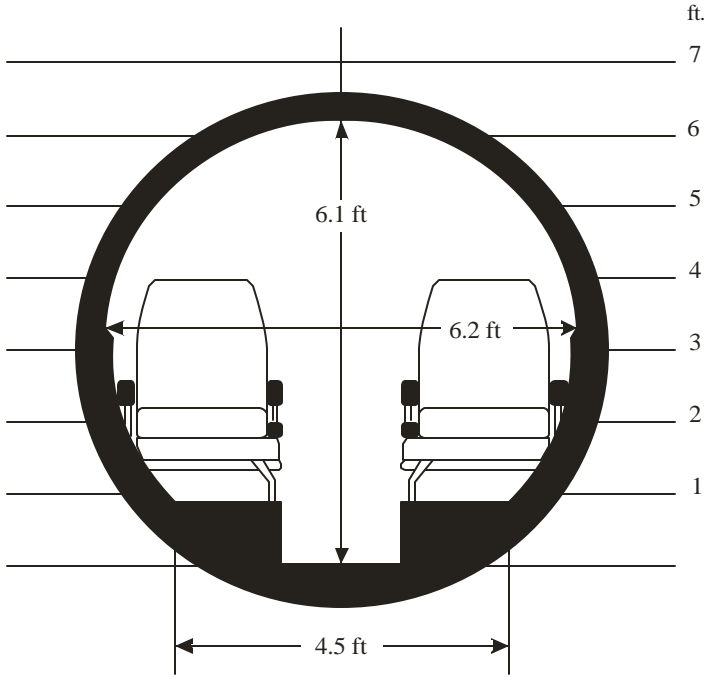


801-03-2

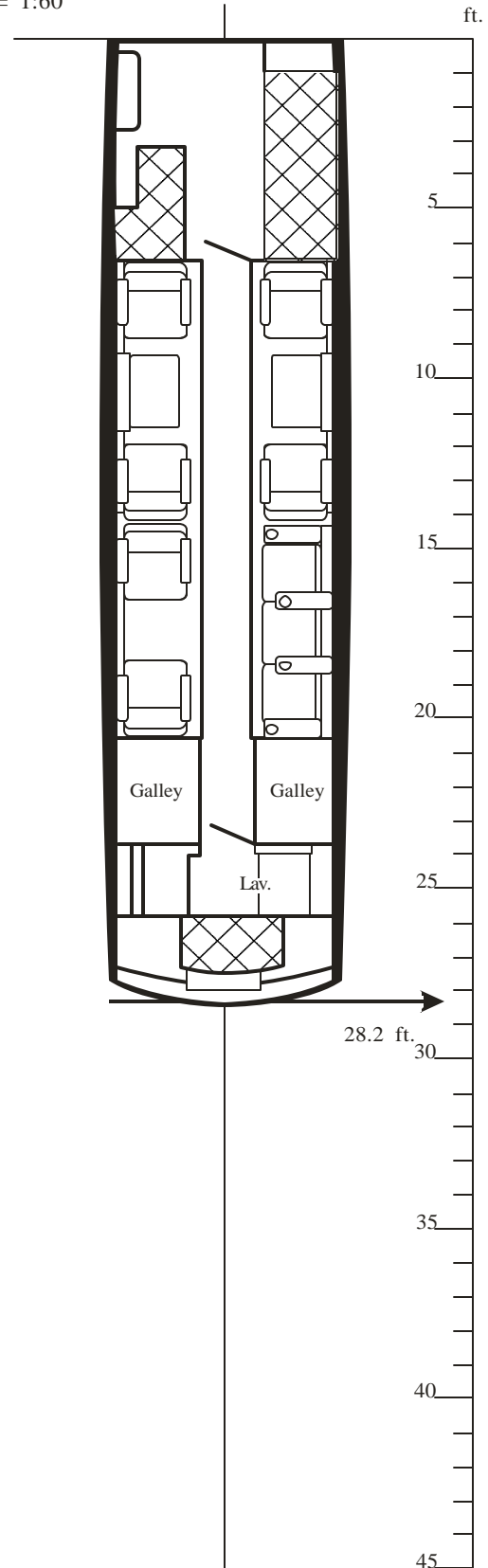
INTERIOR

JETSTAR II/731

Scale = 1:30



Scale = 1:60



- Normal Seating :** 9
- Floor Area :** 127 sq. ft.
- Cabin Volume :** 850 cu. ft.
- Baggage Volume :** 105 cu. ft.

 **Baggage**

801-04-2