

# MANDALAY

## 2006

EXCEEDING EXPECTATIONS, DEFINING NEW ONES.



Mandaly  
LUXURY DIVISION

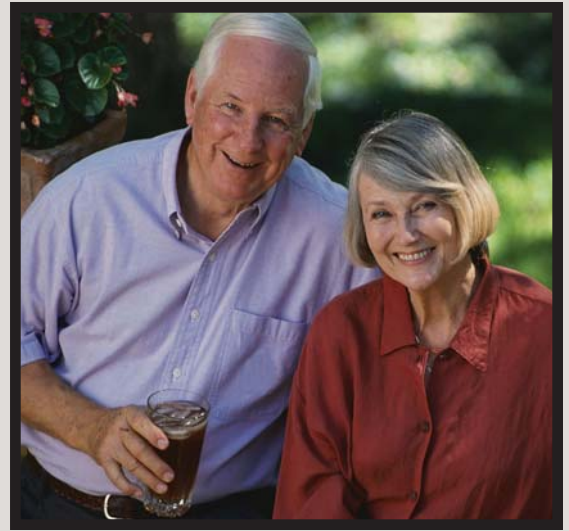


## *Prestigious Living*

*W*hen you're looking for the right combination of luxury and value in a Class A diesel motorhome—Mandalay is the right choice. Once you step inside, you are surrounded by a rich blend of extraordinary elegance, unequalled comfort and captivating style. It's a total environment that offers everything you need to enjoy a prestigious and comfortable lifestyle. Mandalay offers more than you'd expect from a Class A diesel motorhome. And you won't find a better value anywhere.



Model 40F shown with Stone decor and optional Hardwood Maple cabinetry. Other optional features include an UltraLeather™ hide-a-bed sofa (driver's side), UltraLeather™ magic bed sofa (passenger side) and round free-standing table with four fixed chairs.



Whether you're starting out on a long vacation or just a weekend adventure, you will live well in a Mandalay. While on the road, the adjustable UltraLeather™ driver and passenger seats surround you in relaxing comfort.

All Mandalay motorhomes feature exquisite triple and quadruple slide-out floorplans. We've also increased the ceiling height to a full 84" which further enhances the living area and increases overhead storage as well. Whether entertaining guests for the evening or just relaxing after an exciting day of activities, there is plenty of room for all to enjoy.

The contemporary design of the Mandalay is a cut above the rest. Contemporary designer interiors and amenities. Rich cabinetry choices. Porcelain tile in the entry way, kitchen and bathroom. Attractive full-body paint and graphics. That's just the beginning.

You can also choose many features for your new Mandalay to match your needs, tastes and lifestyle.



Model 40D kitchen shown with Midnight Blue decor, optional Maple cabinetry and optional 12-cubic foot Stainless Steel refrigerator with ice maker.

## *Practical Elegance*

Meal preparation and planning is a delightful culinary experience in the fully-equipped Mandalay kitchen. The thoughtfully designed layout features gently curved Corian® countertops, name brand appliances, a handy kitchen pantry with adjustable shelves and Space Saver convection microwave oven. There is lots of storage cabinets for added convenience.

The living area offers spacious comfort second to none. The beautifully sculptured carpet, eloquent furniture, and attractive valances and lambrequins add the finishing touch to the stately charm and elegance of the Mandalay.



Model 40B shown with Stone decor, optional Maple cabinetry and optional round dinette with four upholstered chairs.



Model 40E shown with Chiffon decor, optional Natural Cherry cabinetry, standard free-standing dinette and large buffet, with two fixed upholstered chairs and two padded folding chairs. Model 40E has side aisle windows on the driver's side that brighten up the motorhome by providing additional natural light.



Model 40B shown with Midnight Blue decor, optional Cherry cabinetry. Also shown is the standard free-standing dinette and large buffet with added storage space underneath, and optional UltraLeather™ hide-a-bed sofa.



Model 40B shown with Mirage decor, optional Cherry cabinetry and standard queen-size bed. A king-size bed is standard in Models 40E, 40F and 40G.

## *Quiet Solitude*

After a full day of adventure, you can surround yourself with an array of plush comforts in the warm and cozy bedroom. You can take advantage of many congenial convenience features as you begin to wind down for the evening.

You'll get a good night's sleep on the queen or king-size bed with color-coordinated bedspread and pillows. There is plenty of room to store your clothing and personal items in the roomy cedar-lined wardrobe. Plus, you can watch your favorite shows on the 20" Sony™ flat screen television before lights out.



Model 40E shown with optional vented combination washer/dryer that offers added convenience while on the road.



Emergency window behind vanity mirror.



Model 40B shown with Cherry cabinetry, stylish vanity and mirror with upholstered stool.



Model 40B shown with Cherry cabinetry.

The standard bathroom is available with a fiberglass shower or tub with glass enclosure. It also features a push-button electric flush china toilet, solid surface bath countertop with integrated sink, mirror and medicine cabinet with shelves.

The full bath suite in Model 40D has a fiberglass garden tub with glass shower enclosure, Macerator china toilet and handy towel bar. The medicine cabinet with shelves offers added storage, and the solid surface bath countertop has a roomy sink with decorative faucet.



Model 40D shown with Maple cabinetry.



## *The Right Combination of Luxury and Power*

The fully instrumented, automotive-style dash is ergonomically designed so all controls are within easy reach. The steering wheel and foot pedals are also adjustable for additional driver safety and comfort. An optional Pioneer™ navigation system provides complete travel directions, telephone numbers and other location information so you can find the best route to your final destination.





# Versatile Features for Added Convenience



The specially designed Systems Control Center houses commonly used switches and controls in one convenient location at the front of the motorhome.



The optional 50-amp power cord reel provides easy storage of the power cord during and after use.

The specially designed automatic step cover can be engaged with just a push of a button. In the closed position, the carpeted step cover completely encloses the entry steps. It fits flush against the walls in the entry way—with no gaps—for added safety while traveling.



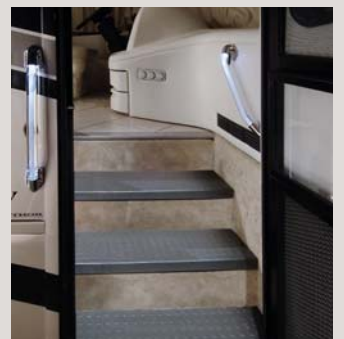
Optional central vacuum hook-up with vacuum hose and accessories make clean-up a snap.



The convenient slide-out freezer option located in the exterior storage bay keeps bulky frozen items cold and secure.



Optional exterior entertainment center features flat-screen television and AM/FM radio with compact disc player.



The lighted and heated termination station is easily accessible. Phone, cable, electrical and plumbing connections are quick and easy to make.

# A Better Way To Travel

Mandalay motorhomes are not “mass produced.” We have a firm commitment to the quality of our product. Stringent quality control guidelines are followed from the initial design through production and final finishing. Even after it leaves our manufacturing facility, we want to ensure a safe, dependable motorhome.

The high-quality Freightliner XC raised rail chassis has a proven track record of durability and long life. Plus, the optional 400-HP Cummins ISL engine features a cross-flow, side mount radiator with variable speed hydraulic fan, and provides smooth, powerful performance.

Body construction consists mainly of lightweight aluminum framing. Floor construction features structure wood flooring and steel framing for added rigidity and structural integrity. Mandalay coaches are built with a full three inches of block foam insulation in the floor in order to eliminate excess road noise for a smooth, comfortable ride. It also increases your heating and cooling efficiency.



The redesigned front end of the Mandalay features a new one-piece windshield with steel cage construction for better visibility when on the road. Plus the oversized VMax™ rear-view mirrors eliminate blind spots along the sides of the motorhome.



## EXCEEDING INDUSTRY STANDARDS

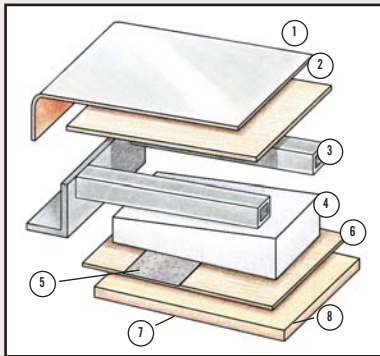
We're so confident in the design and construction of the Mandalay that we offer an exclusive full three-year, 36,000 mile warranty with bumper to bumper coverage to protect your valuable investment. It is one of the best warranties in the recreational vehicle industry—by far.



The diesel generator is mounted on a convenient hydraulic slide-out tray for easy serviceability.

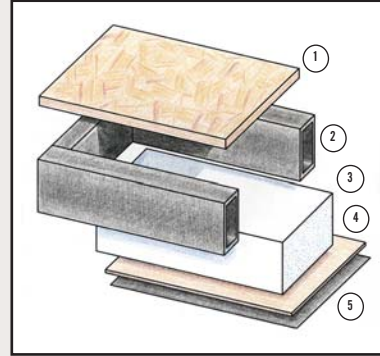


Roomy storage bays feature side-opening compartment doors with adjustable gaskets for easy storage access whether slides are in or out.



The roof features vacu-bonded construction and includes:

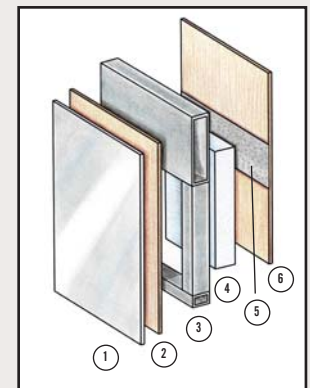
1. One-piece gel coat fiberglass
2. Luan decking
3. Aluminum rafter system
4. Block foam insulation
5. Galvanized steel backer
6. Luan decking
7. Foam padding
8. Padded vinyl ceiling



The floor features vacu-bonded construction and includes:

1. 5/8" structurewood
2. 3" tubular steel framing
3. 3" block foam insulation
4. Luan decking
5. Darco underbelly

## MANDALAY MOTORHOMES ARE BUILT TO LAST... FROM THE GROUND UP



The sidewall features vacu-bonded construction and includes:

1. Smooth gel coat exterior
2. Luan decking
3. 1-1/2" tubular aluminum framing
4. 1-1/2" block foam insulation
5. Galvanized steel backer
6. Luan decor board

## MANDALAY INTERIOR DECOR PACKAGES



*Chiffon decor package*



*Eclipse decor package*



*Midnight Blue decor package*



*Mirage decor package*



*Stone decor package*



*Standard Oak cabinetry*



*Optional Maple cabinetry*



*Optional Cherry cabinetry*



*Optional Natural Cherry cabinetry*

## MANDALAY EXTERIORS



**Emerald Isle Edition—all interior decor packages available**



**Merlot Edition—all interior decor packages available**



**Platinum Edition—all interior decor packages available**



**Saber Edition—all interior decor packages available**



**Sapphire Edition—all interior decor packages available**

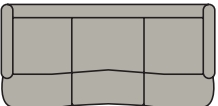
# FURNITURE OPTIONS



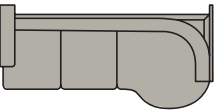
**Hide-A-Bed Sofa**  
(only available on dinette slide-out)



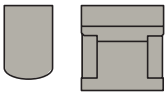
**Magic Bed Sofa**  
(available on kitchen or dinette slide-out)



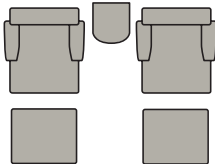
**Easy Bed Sofa**  
(available on kitchen or dinette slide-out)



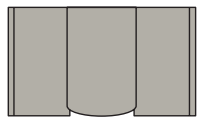
**J-Lounge** (available on kitchen or dinette slide-out)



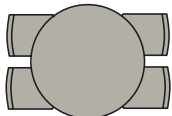
**Leather Recliner**  
(available on kitchen slide-out in place of sofa)



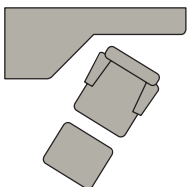
**Two Euro Chairs**  
(available on dinette slide-out on 40G only)



**Booth Dinette**

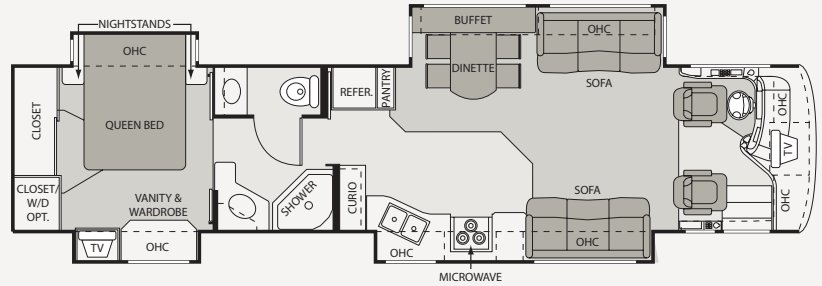


**Round Dinette**

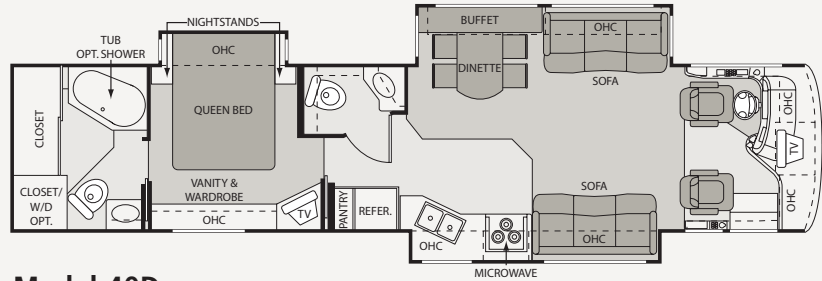


**Computer Base and Euro Recliner**  
(available on dinette slide-out in place of 74" sofa)

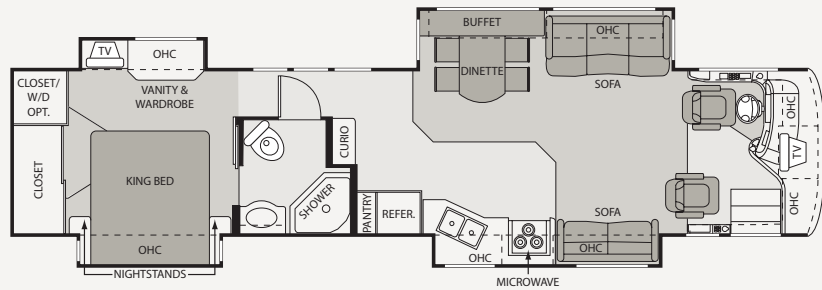
# MANDALAY FLOORPLANS



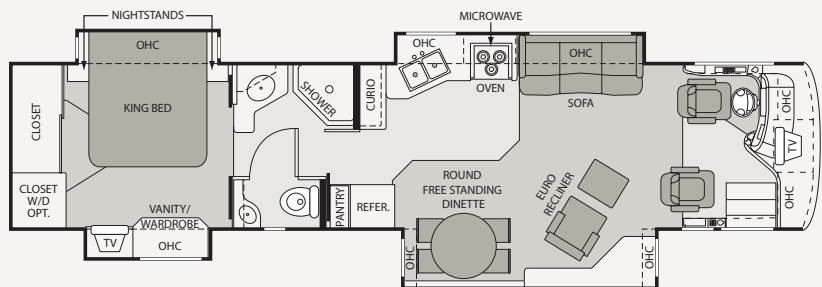
**Model 40B**



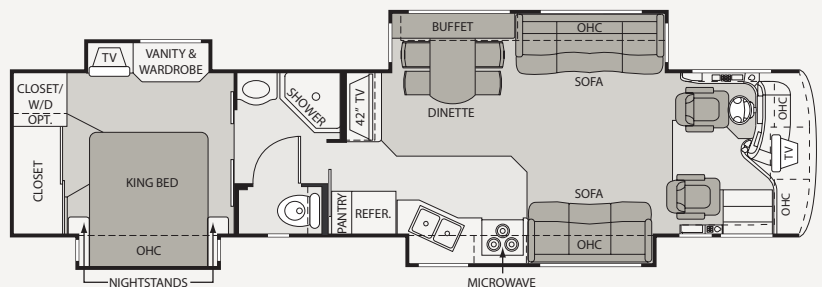
**Model 40D**



**Model 40E**



**Model 40F**



**Model 40G**

Porcelain Tile

Carpet

# MANDALAY STANDARD AND OPTIONAL FEATURES

## BODY CONSTRUCTION/ EXTERIOR

### STANDARD

- One-piece windshield with steel cage construction
- 3" steel framed laminated floor
- Aluminum frame sidewalls and roof
- Molded fiberglass roof cap
- Chrome exterior mirrors with remote and heat
- Recessed docking lights
- Fog lights
- Hydraulic generator slide-out tray
- Full-body paint package
- Automatic compartment lights
- Fiberglass lined storage compartments
- Side opening exterior compartment doors
- Power entry step with light
- Electric power slide locks
- Windshield privacy screen

### OPTIONS

- 3M film front mask
- Full pass-through slide-out storage tray
- Basement refrigerator/freezer on slide-out tray
- Full-length mud flap with Mandalay logo
- Roof-mounted spotlight with remote control

## CHASSIS

### STANDARD

- Freightliner XC raised rail chassis
- 350-HP Caterpillar C7 diesel engine with exhaust brake
- Independent front suspension with air disc brakes and 56° wheel cut
- Side radiator
- Allison MH 3000 six-speed automatic transmission
- 10,000-lb. hitch receiver and 6-point connector
- Four-point hydraulic leveling jacks
- Aluminum wheels with 275/80R 22.5" tires

### OPTIONS

- Cummins ISL 400-HP diesel engine

## COCKPIT

### STANDARD

- 18" leather wrapped Smart steering wheel
- Adjustable pedals
- UltraLeather™ six-way power driver seat
- UltraLeather™ passenger seat
- Electric flush mount step-well cover
- 12V and 110V outlets in cockpit area
- Driver and passenger map lights
- Dash fans
- Air horns

### OPTIONS

- UltraLeather™ passenger seat with manual footrest
- UltraLeather™ extra-wide passenger seat with power six-way adjustment and footrest
- Automatic leveling system
- Manual pull-down driver's side sun shade
- Power sun visors

## INTERIOR

### STANDARD

- Full 84" interior ceiling height
- Porcelain tile floor in entry way, kitchen and bathroom
- Sculpted carpeting and pad in living area and bedroom
- Solid wood raised panel cabinet doors
- Cedar-lined rear wardrobe closet
- Oak cabinetry
- Hardware with Brushed Nickel finish
- Day/night shades in living room
- Soft Touch vinyl ceiling
- Fluorescent ceiling lighting
- Halogen lights under cabinets in living room and bedroom
- Mood lighting above crown molding on top of all slide rooms
- Fabric easy-bed sofa with drawer
- Fabric easy-bed loveseat (standard on 40E passenger side only)

### OPTIONS

- Cherry or Maple cabinetry

- Hardwood Cherry, Maple, Oak or Natural Cherry cabinetry
- UltraLeather™ recliner with computer desk
- UltraLeather™ Euro recliner and ottoman with computer desk
- Two UltraLeather™ Euro recliners with coffee table in place of sofa (40G only)
- UltraLeather™ easy-bed sofa with drawer
- Fabric hide-a-bed sofa with air mattress\*
- UltraLeather™ hide-a-bed sofa with air mattress\*
- Fabric magic-bed sofa
- UltraLeather™ magic-bed sofa
- UltraLeather™ Hounge
- UltraSuede™ Hounge
- UltraLeather™ loveseat (40E passenger side only)

## GALLEY

### STANDARD

- 8-cubic foot double door refrigerator
- 3-burner high-output cooktop with drawers
- 30" Space-Saver convection microwave oven
- Flush mounted two-piece range cover
- Kitchen pantry with adjustable shelves (not available with optional 12-cubic-foot refrigerator)
- Full-extension drawer guides
- Corian® kitchen countertop with Stainless Steel sink
- Free-standing buffet dinette with two fixed and two folding chairs
- 12V lighting with dimmer switches
- Computer hook-up with phone jack in dinette area

### OPTIONS

- 12-cubic foot two-way refrigerator with ice maker and raised panel inserts
- 12-cubic foot two-way Stainless Steel refrigerator with ice maker
- 22" 3-burner high-output range with oven
- 30" Space-Saver Stainless Steel convection microwave oven
- Booth dinette
- Round free-standing table with four fixed chairs

## ENTERTAINMENT AND ACCESSORIES

### STANDARD

- 27" Sony™ flat screen television with remote control in overhead
- 20" Sony™ flat screen television in bedroom
- AM/FM dash radio with compact disc player
- Sony™ DVD home theater system with recessed ceiling speakers
- Color rear-vision camera with one-way audio\*
- 42" Sony™ Grand Wega LCD projection television in entertainment center (40G only)\*

### OPTIONS

- 32" Sony™ LCD television in front overhead
- 40" Sony™ LCD television in front overhead\*
- Color side-vision camera system\*
- Digital satellite system
- Digital satellite system (in motion fully automatic)
- Satellite-ready AM/FM radio with six disc CD changer
- Sirius/Satellite AM/FM radio with six disc CD changer
- Compact Cobra® citizen's band radio with remote mount
- Pioneer™ navigation system with color back-up camera
- Exterior entertainment center (includes flat screen television and AM/FM radio with compact disc player)

## BEDROOM/BATHROOM

### STANDARD

- 60" x 80" queen bed
- 70" x 80" king bed (40E, 40F and 40G only)
- Bedspread and pillows
- Black-out shades in bedroom

## MANDALAY OWNER BENEFITS

- Washer/dryer prep
- Solid surface bath countertop with integrated sink

### OPTIONS

- Vented combination washer/dryer

## SAFETY/CONVENIENCE

### STANDARD

- Entry door with deadbolt lock
- Telephone jack
- Systems Control Center
- Smoke detector
- Fire extinguisher
- LPG detector
- Carbon monoxide detector
- Integral three-point seatbelts for driver and passenger
- Deluxe acrylic lighted exterior grab handle

## ELECTRICAL SYSTEMS

### STANDARD

- Onan® 8.0 KW Quiet diesel generator with automatic start
- 2,000-watt inverter with 100-amp charger and four 6V deep cycle house batteries
- Water pump switch in kitchen, bathroom and system compartment
- Door side patio receptacle

### OPTIONS

- 50-amp power cord reel
- Energy management system

## PLUMBING & LP GAS SYSTEMS

### STANDARD

- High-capacity water pump with full coach filtration system
- 10-gallon LP gas/electric water heater system with DSI
- Fresh water fill indicator in exterior systems compartment
- One-piece fiberglass shower with glass enclosure (not available on 40D)

- Fiberglass garden tub with glass shower enclosure (40D only)
- Push-button electric flush china toilet
- Macerator toilet (40D and 40E full baths only)
- Heated systems compartment with easy access to hook-ups
- Holding tank rinsing system
- Exterior shower

### OPTIONS

- Fiberglass neo-angled tub with glass shower enclosure (not available on 40D)

## WINDOWS, DOORS & AWNINGS

### STANDARD

- Radius dual pane windows with tinted safety glass
- One-Touch automatic patio awning
- Automatic front door awning

### OPTIONS

- Driver side living room slide-out awning
- Bedroom window awning
- Keyless entry with baggage door lock remote

## HEATING, VENTS & AIR CONDITIONING

### STANDARD

- Dual 15,000 BTU roof air conditioners with heat pump\*
- One 20,000 BTU furnace and one 30,000 BTU furnace

### OPTIONS

- Solar panel (front air conditioner only)
- Attic fan in kitchen with rain sensor and wall switch control
- Attic fan in bathroom with wall switch control
- Cold weather package

\*Offered on motorhomes built after December, 2005



In addition to owning one of the finest Class A diesel motorhomes in the industry, we offer Mandalay owners lots of extras. With the purchase of a new Mandalay, you will receive two complimentary jackets and caps from Mandalay Luxury Division.

Plus, you are eligible to become a member of Mandalay Travel Club. It is a great way to meet other Mandalay Luxury Division owners, and have the opportunity to participate in unique group tours and attend rallies all over the country. To learn more about the Mandalay Travel Club, visit our website at [www.mandalaycoach.com](http://www.mandalaycoach.com).



## CUSTOMER CARE ROADSIDE ASSISTANCE PLAN

All new Mandalay owners will receive added peace of mind through our Customer Care Roadside Assistance Plan. It is free of charge for the first year of ownership.

Mandalay Luxury Division has teamed up with Coach Net, the largest recreational vehicle emergency roadside service provider in the country. This comprehensive support program provides fully paid roadside assistance, emergency road service and special support benefits that follow you wherever you go.

## 2006 MANDALAY SPECIFICATIONS

Model	40B	40D	40E	40F	40G
<b>WEIGHT RATING (LBS.)</b>					
<i>Freightliner XC Chassis</i>					
Caterpillar C7 engine	350-HP	350-HP	350-HP	350-HP	350-HP
Cummins ISL engine	400-HP	400-HP	400-HP	400-HP	400-HP
Gross Vehicle (GVWR)	34,320	34,320	34,320	34,320	34,320
Gross Combined (GCWR)	44,320	44,320	44,320	44,320	44,320
<b>MEASUREMENTS</b>					
Wheel Base	276"	276"	276"	276"	276"
Exterior Length <i>(without ladder)</i>	41'6"	41'6"	41'6"	41'6"	41'6"
Exterior Height <i>(w/air conditioner)</i>	12'9"	12'9"	12'9"	12'9"	12'9"
Interior Height	84"	84"	84"	84"	84"
Awning Size	21'	21'	21'	21'	21'
<b>TANK CAPACITIES</b>					
Fuel <i>(gallons)</i>	100	100	100	100	100
LPG <i>(pounds)</i>	162.5	162.5	162.5	162.5	162.5
Fresh Water <i>(gallons)</i>	120	120	120	120	120
Waste Water <i>(gallons)</i>	57	57	57	57	57
Gray Water <i>(gallons)</i>	66	66	66	66	66
Water Heater <i>(gallons)</i>	10	10	10	10	10
Furnace <i>(BTUs)</i>	20,000/30,000	20,000/30,000	20,000/30,000	20,000/30,000	20,000/30,000

Ultraleather™ is a registered trademark of Ultrafabrics, LLC

# Mandalay

LUXURY DIVISION

P.O. Box 1486 • Elkhart, Indiana 46515-1486  
 Toll-Free: 866-919-4444 • Fax: 574-522-4276  
[www.mandalaycoach.com](http://www.mandalaycoach.com)



EXCEEDING INDUSTRY STANDARDS

**VEHICLE LOADING:** Every effort has been made to provide the greatest number of options for the recreation vehicle owner. Along with these choices comes the responsibility to manage the loads that are imposed by the choices so that they remain within the manufacturer's specified chassis weight limits. Do not overload the recreation vehicle.

**DRY WEIGHTS:** Based on standard features; optional equipment not included. Net carrying capacity (NCC) determined by subtracting unloaded vehicle weight (UVW) from gross vehicle weight (GVWR) and includes fluids, options, and cargo. Liquid capacities and weights are approximations only.

**WARNING:** This information is intended as a guide only. Weights of individual vehicles may vary. Consult your owner's manual for complete loading, weighing, and towing instructions.

**IMPORTANT:** Towing capacity may vary by chassis model, floorplan, options and loading of the vehicle. This may result in a towing capacity which is less than the maximum capacity of the hitch. Do not exceed the vehicle's Gross Combined Weight Rating (GCWR), or the hitch rating. A separate functioning brake system is required for any towed vehicle or trailer weighing more than 1,000 lbs. (450 KG) when fully loaded.

Product information, specifications, and photography in this brochure were as accurate as possible at time of printing. Photographs may contain some features that are optional on your vehicle. Since we continually strive to improve our products, actual products may differ. Prices and specifications are subject to change without notice. All capacities are approximate and dimensions are nominal. Some features or options may be different or unavailable in Canada.

