



**Jayco**<sup>®</sup>

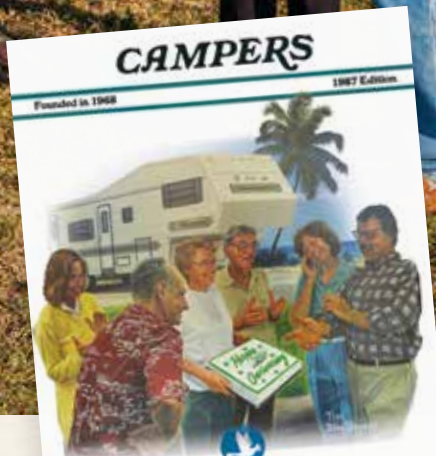
Generations of family fun.

# PINNACLE

2015 LUXURY FIFTH WHEELS BY JAYCO



This 1987 brochure cover inspired our 2015 literature.



**2**  
**YEAR**  
WARRANTY

# THE PERFECT BLEND OF **luxury** AND FAMILY FUN

**2-YEAR** WARRANTY



STANDARD GRAPHICS

PREMIUM PAINT



For 45 years, Jayco has helped create generations of family fun, and over the course of that time, fun still looks remarkably the same. From campfires to fishing, from relaxing to eating, fun has the same feel generations later—and all with a Jayco RV nearby. Today, we're the largest family-owned RV manufacturer in the world, and our promise is to continually strive to build family-friendly products that will outlast just about everything but your memories. Join us in our generations of family fun.

**On the cover:** The 1987 brochure artwork, illustrated by Tim MacDonald, was part of a successful ad campaign. These illustrations inspired the 2015 Jayco brochure covers, which are live re-creations of Tim's artwork.



Scan this QR code to watch how Jayco delivers Generations of Family Fun or visit [www.GenerationsOfFamilyFun.com](http://www.GenerationsOfFamilyFun.com).

**The 2015 Jayco Pinnacle** takes the fun in camping and gives it a luxurious spin — after all, the most enjoyable getaways should make you feel pampered. Thanks to a Culinary Dream Kitchen, a Tranquility Bedroom Suite and a Gel-360 exterior with every outside convenience, Jayco's most luxurious fifth wheel embodies exclusive comfort and stunning design.



PINNACLE 36KPTS | ASH



PINNACLE 36KPTS | ASH



PINNACLE 36KPTS | ASH

**Culinary Dream Kitchen** PAGE 4  
**Tranquility Bedroom Suite** PAGE 6



# Pinnacle

## Culinary Dream Kitchen

### COOK IN LUXURY

When you step into the Pinnacle's spacious kitchen, you might feel like you walked into a dream. At least, we did when we designed the Culinary Dream Kitchen, envisioning every chef's whim. From solid-surface counters to hidden delights, Pinnacle delivers an extraordinary kitchen.



PINNACLE 18 CU. FT. REFRIGERATOR



PINNACLE 36KPTS | DECORATIVE CEILING MANTLE



## LUXURY STARTS IN THE DETAILS

We finessed every detail, right down to the cabinetry. Made of real-wood, pocket-screw stiles, these cabinets surpass particle board stiles, then we add toe-kick lighting and a pullout trash receptacle.

- Stunning residential-grade hardwood Cherry cabinet doors with hidden hinges
- 18 cu. ft. refrigerator with bottom-drawer freezer
- Flush-mounted, oversized 21" oven with 3-burner cooktop and range cover
- 30" over-the-range, residential-grade microwave
- Large, split, under-mounted, stainless-steel sink with covers and pull-out faucet
- Stunning kitchen ceiling mantle with hardwood frame, LED lights and backlit mirror
- ExpansiView dinette windows



PINNACLE 36KPTS | MIRRORED BACKSPLASH

PINNACLE SOLID-SURFACE COUNTERTOPS



PINNACLE 36KPTS | ASH

# Pinnacle

## Tranquility Suite

### SUITE SLUMBER

Pinnacle packs so many luxuries in the Tranquility Bedroom Suite, you'll wonder why we call them standards. We start with a king-sized Denver Mattress Advanced pillowtop sleep system with top-of-the-line features trickling into the closet, under the bed and throughout the master bathroom.



STACKABLE WASHER/ DRYER, PREP



PINNACLE 36KPTS | CEDAR-LINED CLOSET



- 72" x 80" Denver Mattress Advanced king-sized pillowtop mattress
- Aromatic cedar-lined front wardrobe closet with dual hanging rods
- Floor-to-ceiling bedroom dresser with mullion-style doors
- Media center with 32" LED TV/DVD player and opera-style window
- Stackable washer/dryer prep
- Cordless Dyson vacuum
- Private bathroom with solid-surface countertops



PINNACLE FLOOR-TO-CEILING DRESSER

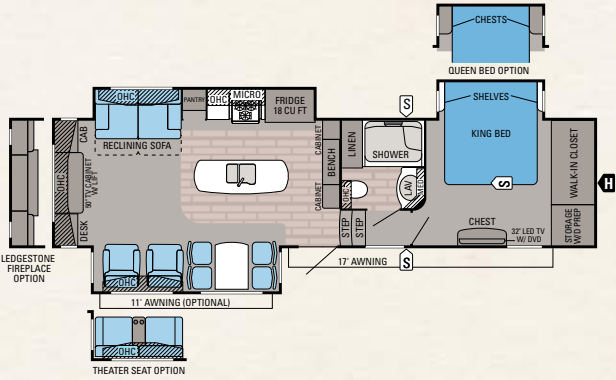


## STUNNING EXTERIORS

Luxury is nothing if you can't flaunt it a little. On the outside, Pinnacle exudes premier conveniences, like standard frameless windows, a front cap with LED lights, an optional cargo accessory receiver, convenient four-step entry and a MOR/ryde LRE 4000 suspension.

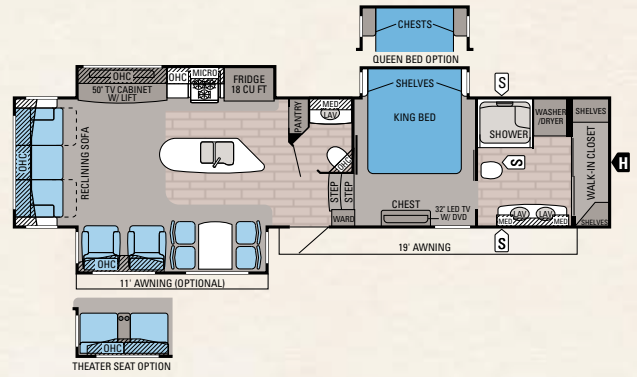
FLOORPLANS

	LENGTH	36' 2" - 40' 4"
	WEIGHT	11,555-12,695 lbs.
	SLEEPS	3-4



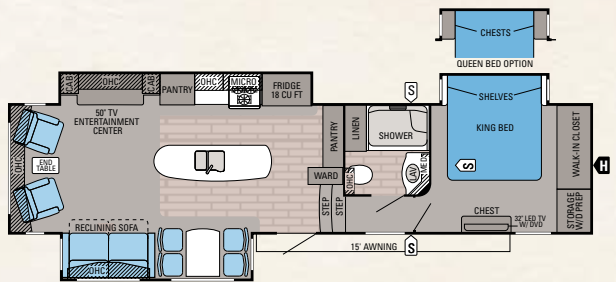
PINNACLE | 31RETS

Ext. Length: 36' 2" Ext. Height: 155" Unloaded Wt. (lbs.): 11,555 Sleeps: 3-4



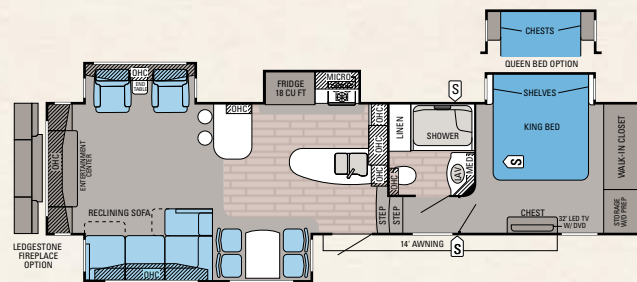
PINNACLE | 36FBTS

Ext. Length: 39' 1" Ext. Height: 156" Unloaded Wt. (lbs.): 11,965 Sleeps: 3-4



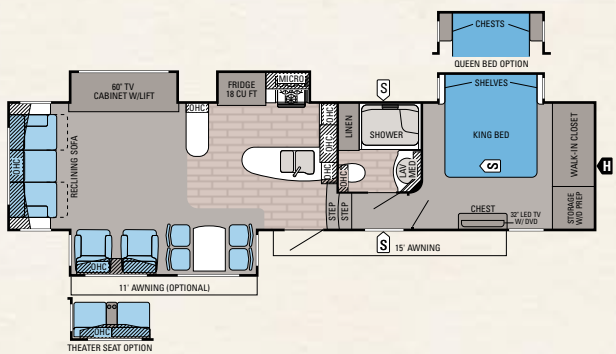
PINNACLE | 36KPTS

Ext. Length: 38' 8" Ext. Height: 156" Unloaded Wt. (lbs.): 11,895 Sleeps: 4



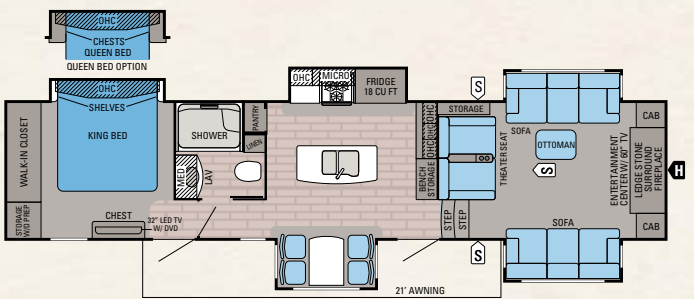
PINNACLE | 36REQS

Ext. Length: 38' 11" Ext. Height: 155" Unloaded Wt. (lbs.): 12,210 Sleeps: 4



PINNACLE | 36RSQS

Ext. Length: 39' 1" Ext. Height: 155" Unloaded Wt. (lbs.): 12,165 Sleeps: 4



PINNACLE | 38FLSA

Ext. Length: 40' 4" Ext. Height: 160" Unloaded Wt. (lbs.): 12,695 Sleeps: 6

EXTERIOR COLOR CHOICES



STANDARD GRAPHICS



PREMIUM PAINT OPTION



# STANDARDS AND OPTIONS

## STANDARD EXTERIOR EQUIPMENT

Wide-body, 102" frame
TuffShell vacuum-bonded, laminated walls
Magnum Truss Roof System
Aerodynamic front and rear cap with LED lights
One-piece seamless roof covering
10" I-Class cambered structural-steel I-beams
16" radial tires
Nev-R-Adjust brakes
E-Z Lube axles
MOR/ryde LRE4000 suspension system
Completely enclosed and protected slideout mechanisms
Heavy-duty entrance steps
Frameless, dark-tinted, safety-glass windows
30" x 78" entry door with oversized window
Exterior marine-grade speakers (2)
Front awning arm convenience outlet
ExpansiveView opera-style, door-to-ceiling dining area windows
Enclosed, protected basement drop-frame
Cable TV and outlet in basement
Dual-battery compartment with disconnect
Wide-stance front landing gear
Stor-Galore pass-through basement storage with slam latches and strut assist
Sliding tray with 30-lb. propane bottles
Heated, enclosed Uni-Dock utility center
50-amp power service with detachable cord
40,000-BTU furnace
75-gal. fresh water tank (minimum)
85-gal. gray tank capacity (minimum)
50-gal. black tank capacity (minimum)
Cable/satellite prep
Digital TV antenna
Outside grill prep
Electric rear stabilizer jacks
Under-mounted spare tire
Frame prepped for accessory hitch
Roof ladder

## STANDARD INTERIOR EQUIPMENT

Custom residential miter-cut Cherry cabinet doors with hidden hinges
Pull-out lower pantry (where available)
Trash receptacle storage (where available)
Half-barrel hidden storage cabinet (where available)

Steel ball bearing drawer guides, 75-lb. capacity with full extension
Large-split, under-mounted, stainless-steel sink
Residential-grade, pull-out kitchen faucet
Water heater bypass
18 cu. ft. residential refrigerator with drawer-style freezer
1,000-watt inverter
Flush-mounted, oversized 21" oven with recessed glass cover
Kitchen power vent
Diamondfloor deluxe linoleum flooring
Toe-kick kitchen lighting
90-amp power center with Charge Wizard
Backlit Command Center for switches with 12V cell phone charger
Key fob remote for slideouts, awning, and patio light
Closeable and directional air conditioner vents
Prep for second ducted air conditioner
Ceiling fan (n/a 38FLSA)
Class A-style hardwood ceiling feature with LED backlighting
LED ceiling lights throughout
6' 5" tall living area slideouts
Roller shades with blackout feature
Rocker/glider recliner chairs
Residential reclining sofas
Fiberglass shower with glass enclosure
Porcelain bath stool with foot flush
Robe hooks in bath
Hardwood headboard
Full-trunk, under-bed storage
Cordless Dyson vacuum
Walk-in style front closet with dual hanging rods and cedar lining
Mullion-style front wardrobe doors
Washer/dryer prep, accommodates stackable unit
Floor-to-ceiling bedroom dresser with 32" LED TV/DVD player and opera-style window

## CUSTOMER VALUE PACKAGE (MANDATORY)

Extendable main entrance grab handle
Large patio scare lights (2)
Electric patio awning with LED lighting
Arched cathedral-style interior ceiling
15,000-BTU low-profile, Whisper-Quiet air conditioner
12-gal. quick-recovery gas/electric DSI water heater
Canister-style, in-line water purifier
Multi-media premium sound system AM/FM/CD/DVD/MP3 player with toggle switch for outside speakers

Bathroom power vent
Bathroom skylight
Under-bed floor safe
Denver Advanced King-Sized Mattress (72" x 80")

## SUMMIT PACKAGE (MANDATORY)

Aluminum rims
Hardwood cabinetry and slideout fascias
LG brand high-gloss, solid-surface kitchen countertops
Craftsman-style, free-standing table and 4 chairs
50" LCD HDTV (60" in 36RSQS)
High-gloss, champagne-colored, gel-coated exterior shell, front and rear cap, baggage and entry doors

## LUXURY PACKAGE (MANDATORY)

30" stainless microwave oven
Powered 50-amp cord reel
MOR/ryde pinbox
6-point electric auto-leveling system

## OPTIONS

Customer Value Package with 15,000-BTU A/C and heat pump
Premium Paint Package
Slideout awnings
Second patio awning
Generator prep
5,500-watt gasoline generator with prep
Cargo accessory receiver
Outside grill
Ledgestone fireplace (31RETS, 36REQS) (standard in 38FLSA)
Electric fireplace with hardwood mantle surround (n/a 38FLSA)
Queen-sized Denver Mattress Advanced pillowtop mattress with nightstands
Second A/C in bedroom (15,000-BTU ducted)
Linoleum in living room (n/a 38FLSA)
Thermal-pane, tinted, safety-glass windows
Theater seating in lieu of recliners (31RETS, 36FBTS and 36RSQS)
Backup camera with navigation (Garmin)

# SPECIFICATIONS

MODELS	DIMENSIONS					WEIGHTS (LBS.)				TANKS (GALS.)		
	FLOORPLAN	EXTERIOR TRAVEL LENGTH*	EXTERIOR WIDTH	EXT. HEIGHT (WITH A/C)	EXT. HEIGHT (WITH OPT. BEDROOM A/C)	INTERIOR HEIGHT	UNLOADED VEHICLE WEIGHT**	DRY HITCH WEIGHT	GROSS VEHICLE WEIGHT RATING	CARGO CARRYING CAPACITY	FRESH (INCLUDES WATER HEATER)	GRAY
31RETS	36' 2"	102"	155"	157"	81"	11,555	2,420	15,250	3,695	87	87	50
36FBTS	39' 1"	102"	156"	159"	81"	11,965	2,370	15,950	3,985	87	74	100
36KPTS	38' 8"	102"	156"	157"	81"	11,895	2,485	15,950	4,055	87	87	50
36REQS	38' 11"	102"	155"	156"	81"	12,210	2,410	15,950	3,740	87	85	50
36RSQS	39' 1"	102"	155"	157"	81"	12,165	2,535	15,950	3,785	87	85	50
38FLSA	40' 4"	102"	160"	160"	99"	12,695	2,855	15,950	3,255	87	103	37

\*Distance from the pin box to the bumper; total exterior length may be longer. \*\* The weights of certain options and/or option packages are not included in the UWW listed in the specification charts.

**Unloaded Vehicle Weight (UWW):** Sometimes referred to as "Dry Weight," UWW means the typical weight of this trailer as built at the factory. The UWW, as used in product literature and other promotional materials, does not include cargo, fresh water, propane, options or dealer-installed accessories.

**Gross Vehicle Weight Rating (GVWR):** GVWR means the maximum permissible weight of the trailer, including the UWW plus passengers, personal items, all cargo, fluids, options, and dealer-installed accessories. The GVWR is equal to or greater than the sum of the UWW and the CCC.

**Cargo Carrying Capacity (CCC):** CCC means the maximum weight of all passengers, personal items, food, fresh water, propane, tools, other cargo and dealer-installed accessories that can be carried by the trailer. CCC is equal to or less than GVWR minus UWW. The addition of options will decrease the CCC.

**Hitch Weight (HW):** The hitch weight, as used in product literature and other promotional materials, does not include cargo, fresh water, propane gas, options or dealer-installed accessories. The addition of these types of items will either add to or subtract from the stated hitch weight.

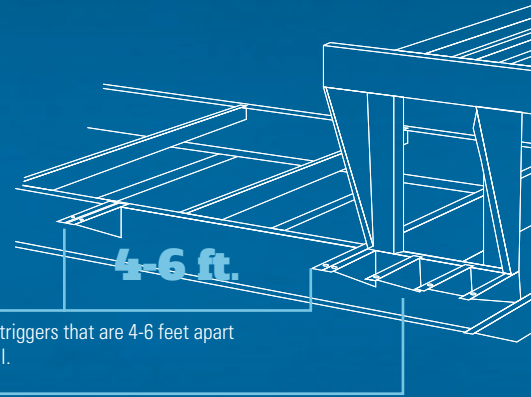
It is important for your safety and enjoyment that your tow vehicle be adequately sized and equipped to tow and handle the GVWR of the RV you select. Review weights and rating of your tow vehicle and consult a competent advisor for questions or advice. Whether you are new to RVing or a veteran, get a feel for the performance of your tow vehicle before heading out on the roadways. When you tow an RV, you must drive differently than when you drive a single vehicle. Practice hooking up, driving, backing up and braking in a safe environment or seek out professional instruction. Jayco affixes a weight label to each RV which lists weight information for that vehicle. See specifications chart above.

# WE START WITH ONE OF THE INDUSTRY'S **strongest** **foundations**

Jayco builds on custom-sized frames, designed specifically for each floorplan. Other manufacturers use stock frames, stretching and welding the frame to fit.

**Full-width outriggers:** We build on full-width outriggers that are 4-6 feet apart (vs. 8 ft.) to better support the weight of the wall.

**I-Class cambered structural steel I-beams:** Jayco uses a unique molded, one-piece design to prevent the unit from twisting; competing three-piece I-beams can warp over time at the welded seams.



**— so that we can build the industry's most reliable RV**



## JAYCO'S ROOF **vs** OTHER ROOFS



4,500 LBS. ON A JAYCO ROOF VS. OTHER ROOFS



## CLIMATESHIELD

The Climate Shield features the following R-values.

### VALUE UNIT AREA

- R-7 All vertical walls
- R-11 Behind front cap
- R-30 Roof
- R-22 Main floor
- R-14 Slide floor
- R-22 Bedroom floor
- R-14 Inside open pin box
- R-14 Enclosed drop-frame overhang

## Extend your camping season

with the Jayco Climate Shield — the ultimate in weather protection. Designed for efficient heating and cooling, Climate Shield protects against extreme heat and extreme freezing — even when temperatures hit a high of 100° F or a low of 0° F.

### LIVING ROOM

0°F 70°F  
100°F 69°F

### KITCHEN

0°F 69°F  
100°F 70°F

### BATHROOM

0°F 71°F  
100°F 68°F

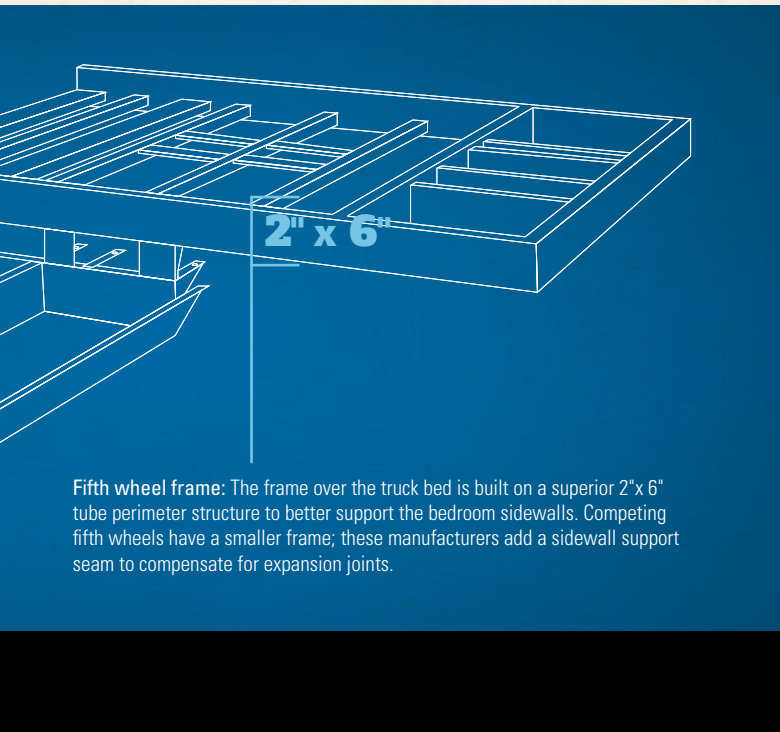
### HOLDING TANK

0°F 60°F  
100°F 72°F

### BEDROOM

0°F 71°F  
100°F 71°F

\* Pinnacle was tested in 0° F and 100° F weather over an extended period of time in a controlled environment and all functions of the coach were fully operational. Testing cannot account for natural elements, such as wind or moisture. In actual use, unit may not perform as well. In addition, outside components are subject to freezing and require steps to properly insulate. Jayco's warranty does not cover damage caused by freezing.



**Fifth wheel frame:** The frame over the truck bed is built on a superior 2"x 6" tube perimeter structure to better support the bedroom sidewalls. Competing fifth wheels have a smaller frame; these manufacturers add a sidewall support seam to compensate for expansion joints.

## THE MAGNUM TRUSS ROOF SYSTEM

### 50 percent stronger

In a side-by-side comparison test, Jayco's exclusive Magnum Truss Roof System withstood 4,500 lbs. — 50 percent more than other roofs. The difference?

- 1 Jayco uses 5" arched, stamped steel trusses, 2" x 2" vertical studs and oversized nail plates to maximize the roof's load capacity.
- 2 Then, we screw down 3/8" roof decking at every seam, a process that is more durable than stapled construction.
- 3 Finally, our one-piece, sidewall-wrapped DiFlex II material provides the ultimate in leak protection.

## WALL CONSTRUCTION

### vacuum-bonded walls

- 4 Pinnacle features durable, vacuum-bonded, laminated sidewalls with smooth Gel-360 fiberglass exteriors that provide long-lasting appeal.
- 5 Welded aluminum frames give Pinnacle a durable, lightweight structure.

## FIFTH WHEEL CONSTRUCTION

### extra measures for extra warmth

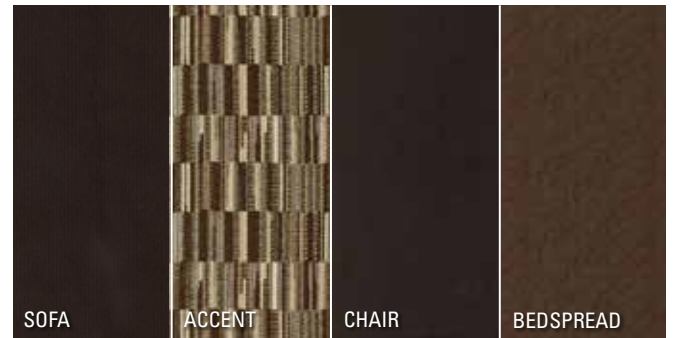
- 6 In the upper area of the fifth wheel floorplan, Jayco uses a double layer of fiberglass insulation behind the front cap, along with Flexfoil and fiberglass insulation in the floor, to provide extra warmth where it's needed most — in the bedroom.
- 7 Jayco's aerodynamic front cap is engineered to withstand the rigors of the road. Paint infused and gel coated, this fiberglass cap features more support with 1/4" plywood bracing, not typically found on other fifth wheels.

## INTERIOR DÉCOR CHOICES

### ASH



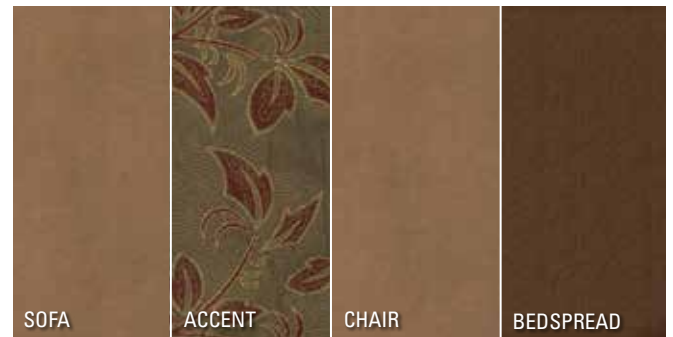
### WALNUT



### PRALINE



### CABERNET



### RESIDENTIAL SHAW CARPET



**2**  
**YEAR**  
WARRANTY



**Jayco**<sup>®</sup>

Generations of family fun.

Bumper-to-pin box limited warranty\*

**FAMILY fun**  
starts with peace of mind

**FREE** Roadside Assistance

At Jayco, we build our RVs to handle every adventure, then we back our products with an industry-leading 2-year limited warranty. You won't find a better warranty in the business because the only strings we attach are those that deliver the ultimate in reliability. That's the Jayco difference. So go explore. We have the warranty that will follow you anywhere.

Travel worry-free with Jayco's Customer First Roadside Assistance program, yours at no cost during the first year of ownership. This program is offered through Coach-Net, the country's largest RV emergency road service, and gives you immediate access to assistance.

\*For a copy of our 2-year limited warranty with full terms and conditions, please contact your local Jayco dealer.

**eco** advantage™

Jayco's long-term commitment to generations of family fun

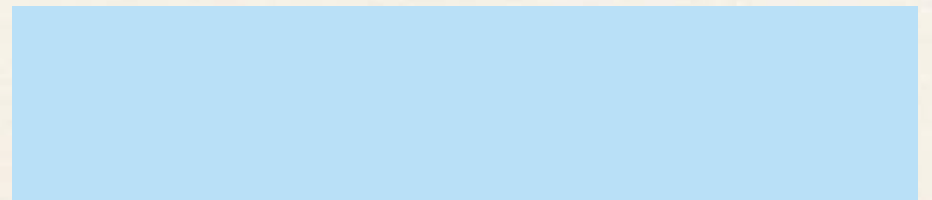


Scan this QR code with your smartphone to watch a video about our efforts and the impact we're making on our planet.

[ecoadvantage.jayco.com](http://ecoadvantage.jayco.com)

The fun starts with your local Jayco dealer

Your local dealer



From giving advice to selling and servicing products, we consider our loyal dealers the glue in our family bond. Establishing a solid relationship with your local Jayco dealer is a key component in the enjoyment of your new Jayco. By purchasing from a local dealer, you will have a convenient location for sales, parts and service support. We hope you consider them a part of your camping family.

Follow Jayco



Jayco, Inc., P.O. Box 460, Middlebury, IN 46540, [www.jayco.com](http://www.jayco.com) See dealer for further information and prices. All information in this brochure is the latest available at the time of publication approval. Jayco reserves the right to make changes and to discontinue models without notice or obligation. Photos in this brochure may show optional equipment and props for photography purposes. RVs built for sale in Canada may differ to conform to Canadian codes. ©2015 Jayco, Inc. 15-PNCL-PL 0115-10K Printed in U.S.A.